

# vitris

Glass fittings with logic

## Atrivant 80

**NEW!**

The innovative glass sliding door fitting system with end-position cushioning and cushioned sash movement for balcony and terrace glazing made of tempered glass





## WEATHERPROOF

The protection against wind and rain

---

When the sashes are closed, Atrivant 80 largely shuts out wind, rain and leaves.

On sunny but cool days, the closed sashes help the sun to heat up the interior and retain this pleasant warmth for longer.

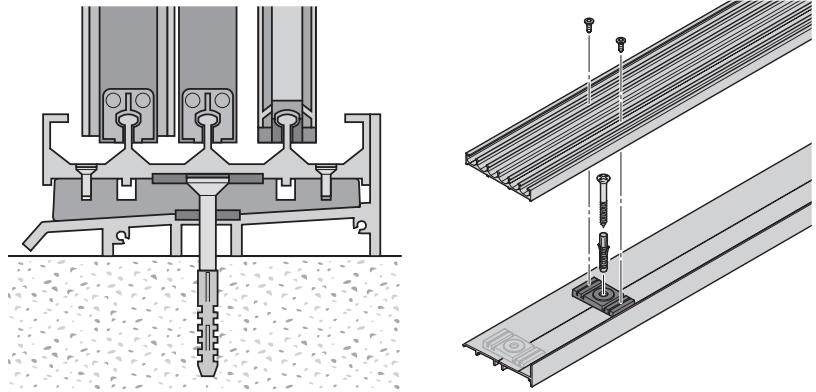
Atrivant 80 lets you enjoy your balcony or terrace well into the evening as well as during cooler seasons of the year (spring/autumn).

**Thanks to Atrivant 80 the terrace season starts earlier and lasts longer.**

## Ingenious drainage profile

An ingenious drainage system ensures that even heavy rain runs off well with the interior remaining largely dry.

The track profile is fixed to the drainage profile using spacer wedges. Pre-drilled holes in the track profile and the generous distance between the spacer wedges allow any water that reaches the track profile to be disbursed quickly, even in heavy rain. The spacer wedges incorporate a sealant that prevents water from entering the building structure.



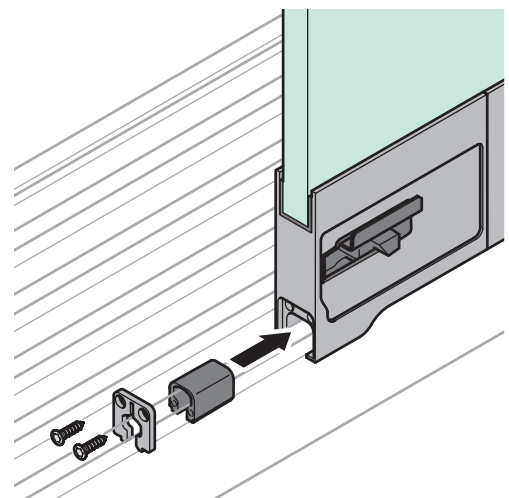
## Carefully selected materials to ensure water resistance

Even when exposed to damp environments, thanks to carefully selected materials, your Atrivant 80 system just keeps working. Atrivant 80 uses a high-quality hydraulic damper that is impermeable to liquids and remains fully functional even in direct contact with water. In addition, a stainless-steel spring and piston rod guarantee the optimum water resistance of the cushioning and retraction system. The roller assemblies run on non-rust precision stainless steel ball bearings with a plastic coating, which ensure life-long premium running characteristics.

## Suitable for high wind loads

Atrivant 80 is even resistant to high wind loads up to class 4 according to EN 12211/12210. The system passed with ease the test conducted by an accredited inspection institute.

When the wind gets up, the sashes, which are firmly glued into the roller profile, deflect significantly. However, to ensure that they remain safely in the track, they are recessed sufficiently deep into the ceiling profile and the roller assemblies grip around the floor running track with double protection.





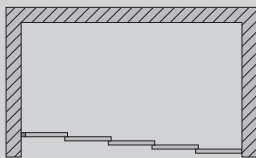
## TELESCOPIC USE

The telescopic solution for a wider opening width

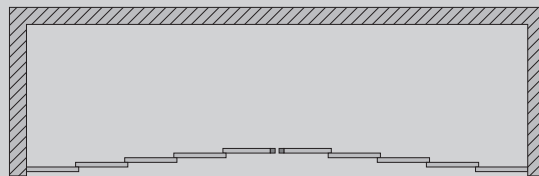
TELESCOPIC USE allows for a huge opening width, providing an authentic outdoor seating experience on your terrace or balcony in fine weather. Up to five sliding sashes can be stacked in parallel when opened. And in systems without fixed glass panel, the sashes can be moved to any position.

**TELESCOPIC USE ensures that the sliding sashes require very little space when open.**

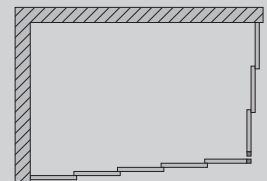
### Examples of installation possibilities



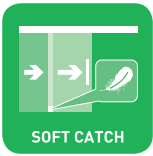
One-sided installation



Two-sided installation



Corner installation without post



## SOFT CATCH

The cushioning solution for gentle multiple-sash sliding

Atrivant 80 allows sliding sashes to be opened all at once with a flick of the wrist. As the sashes are opened and closed, the SOFT CATCH function ensures that each sash triggers the sliding movement of the following sash. Integrated dampers keep the sash movement gentle and quiet at all times. Users can disengage the catch mechanism easily with a foot if single sashes are to be opened on their own, for example to create a passageway between two sashes. As soon as the sashes are pushed back in front of each other, the catches engage again automatically.

**While you slide the first sash, SOFT CATCH makes sure that all the others follow quietly and gently.**



## EASY CLEAN

The intelligent solution for easy cleaning

Thanks to the ability to separate the sashes from each other, cleaning the areas where they overlap is a breeze. And the track profile and drainage profile can easily be washed out with a hose.

**EASY CLEAN helps you to keep your balcony and terrace glazing looking shiny and new.**



## COMFORT STOP

The cushioning system for your comfort



An innovative cushioning system in Atrivant 80 slows the door sashes gently and quietly over a distance of several centimetres before they reach their end positions when they are opened and closed. This prevents the doors from banging, eliminating the associated noise and vibration.

**COMFORT STOP means your Atrivant 80 installation can be opened and closed easily and quietly.**



## PERFECT CLOSE

The retraction system for perfectly closed sashes

With the end-position retraction system on both sides of each sliding sash, Atrivant 80 gives you the following advantages:

### Advantages when closing sashes/when sashes are closed

Once the innovative cushioning system has slowed down the sashes, the PERFECT CLOSE retraction system securely pulls the outer sliding sashes into their end positions when closing, guaranteeing that the installation is shut completely even when closed in a hurry. The end-position retraction system holds the sashes in place and prevents them from bouncing back or from unintentional opening, for example due to the wind.

### Advantages when opening sashes/when sashes are open

When the sashes are open, PERFECT CLOSE ensures that they are perfectly aligned and stacked together in their end positions. In systems without fixed sashes the side of the stacking position can be freely selected.

**PERFECT CLOSE ensures that sashes are perfectly positioned at all times.**





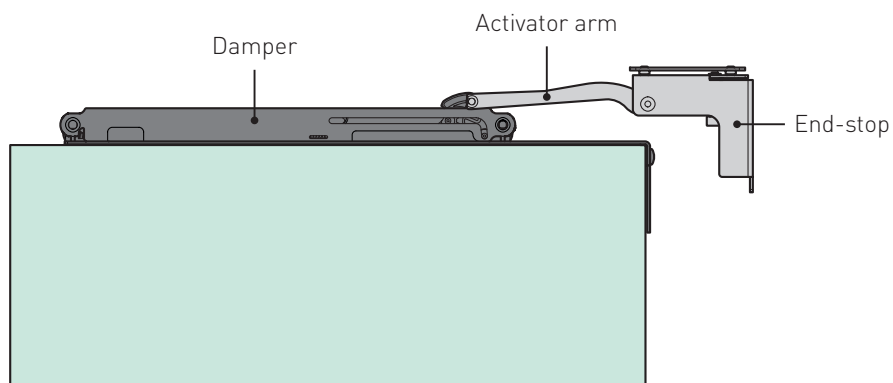
## EXACT TRIGGER

The design principle for reliable operation

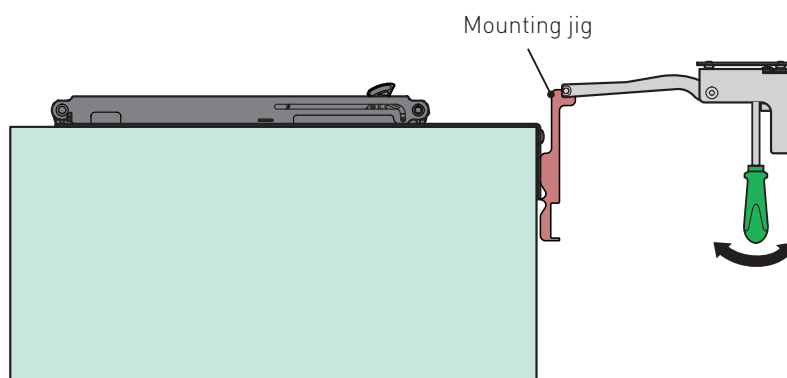
---

The activator arm and driver fork of the cushioning system must be perfectly aligned to each other both horizontally and vertically in order to ensure reliable, long-term operation of the COMFORT STOP and PERFECT CLOSE cushioning and retraction system. With Atrivant 80, this is ensured thanks to a smart design principle (patent pending).

The optimum **horizontal alignment** is achieved automatically by the activators linked to the end-stops and the dampers mounted precisely on the sliding sashes with the help of angle brackets.



The height-adjustable activator arms allow the correct **vertical alignment** to be configured. A mounting jig and a screw, easily accessible from below, allow the activator arm height to be easily adjusted within a range of +/- 8 mm.



If the door is closed too hard, it still has some momentum at the end of the cushioning process. If this happens with Atrivant 80, the end-stop stops the sash at the end of the sliding movement and prevents components of the damper from breaking.

**With EXACT TRIGGER, the activators of the cushioning systems will always work correctly.**



## SYSTEM FIT

The modular solution for your installation

### **Atrivant 80 is a modular system based on just a few components.**

Cleverly designed roller profile adapters that accommodate both the cushioned sash catch mechanism and the roller assemblies mean that the manufacturer does not need to make project-specific adjustments, which allows for the keeping of part inventories, minimised lead times and a flexible response to specific dimensions.



### **Atrivant 80 offers solutions for almost any installation situation:**

- opening to one side or parallel opening to two sides
- linear, L- or U-shaped installation
- full-height or balustrade-mounted glazing
- both outdoors and indoors

If the Atrivant 80 system is to be used, for example, for indoor room dividers or walk-in closets, a track profile without drainage holes and without a drainage profile can be attached directly to the floor. The lower track profile is only 20 mm high and can be embedded in the floor if necessary. Atrivant 80 can therefore also be used in barrier-free environments according to DIN 18040-2.

If desired, Atrivant 80 can be locked from the inside in the wall profile and/or in the floor running track for extra burglary resistance or be equipped with a hook bolt lock that can be operated from both sides.

If a lock that can be operated from the inside is sufficient, then the cable-pull lock integrated into the wall end profile offers a nice solution. This can be comfortably operated at hip height without bending over. Two positions of the locking knob allow the user to decide whether the sash should be retracted into the already closed lock when closing (snap-in function) or whether the sash should remain unlocked.



Locking in the wall profile by means of a vertical latch with cable-pull operation



Locking knob at hip height

**SYSTEM FIT offers modular solutions to meet all your installation requirements.**



## Technical information

Weight of the sashes	Up to 80 kg per sash
Glass width of the sashes	Minimum 610 mm Maximum 1500 mm The maximum height-width ratio of the sliding sashes is 3:1.
System height	Maximum 2500 mm* for outdoor applications Maximum 3205 mm for indoor applications
Glass thickness	System height of up to 1800 mm: 8 mm or 10 mm tempered glass System height $\geq$ 1800 mm: 10 mm tempered glass
Width of the overall system	Maximum 6000 mm with one-sided systems, maximum 12000 mm with two-sided systems
Roller assemblies	Roller assemblies featuring high-quality, precise stainless steel ball bearings with plastic coating
Finish/execution	System with three, four or five tracks, with successive cushioned movement of the sliding sashes (Soft Catch) when opening and closing, featuring end-position cushioning and retraction on both sides of all sashes (Comfort Stop and Perfect Close), one-sided or two-sided, closing to left or right, with or without fixed sash(es), available colours: EV1, anthracite (RAL 7016), white (RAL 9016)

\*Limited for compliance with Class 4 wind load according to EN12211/12210. Experts may permit greater installation heights in areas with less wind load (e.g. in sheltered locations on leeward side of building)

Note: for easy planning with Atrivant 80, please use the planning tool available at [www.willach.com](http://www.willach.com) and go to "Vitriss", "Glass sliding door fittings for balcony and terrace glazing" in the "Downloads" area.



## The company

With its VITRIS product division, Willach is among the leading producers of glass fittings in Europe. Since its foundation in 1889, the company has been dedicated to the manufacture of products to the highest quality and precision standards. Willach quickly cemented its pioneering reputation with numerous technical innovations and intelligent solutions that paid close attention to intricate detail.

With the Portavant product line, Willach today offers a range of elegant, technically sophisticated fittings for glass sliding interior doors. The Aquant product line offers high-quality fittings for shower glass sliding doors. In addition, the Atrivant product line offers intelligent sliding glass door fittings for balcony and terrace glazing. Furthermore, the VITRIS product range comprises a comprehensive modular system of showcase fittings, sliding door locks and slot bar systems for discerning interior, shop and trade show furnishings.

VITRIS products are certified in accordance with ISO standards and are manufactured at our Ruppichteroth production site in Germany to stringent manufacturing standards. This forms the basis for the excellent quality and consistently high level of availability of the entire VITRIS range.

Please contact us and we will be happy to advise you!

Gebr. Willach GmbH | Stein 2  
53809 Ruppichteroth  
Germany  
Tel.: +49 (0)2295 92 08 421/427  
Fax: +49 (0)2295 92 08 429  
vitris@willach.com | www.willach.com



**Willach Group**  
since 1889



Product descriptions, drawings and illustrations represent neither assured characteristics nor declarations of guarantee.

Errors and omissions excepted.  
Edition 06/2019

Stamp

